

STROMWANDLER *serie* TAT081... 81x31 BUSBAR PASSING C.T. *model*

Technische Daten

Material, selbstverlöschend
 Kunststoffgehäuse
 Nennfrequenz
 Bemessungsspannung
 Nennspannung
 Testspannung
 Isolationsklasse
 Schutzgrad
 Überstrom, dauernd

Technical data

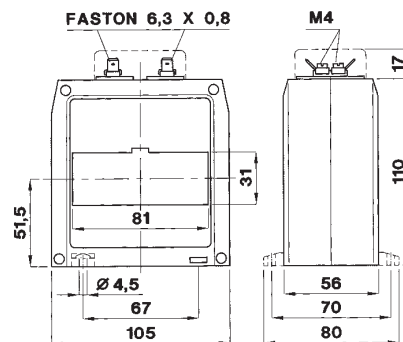
self extinguishing
thermoplastic material
operating frequency
insulation reference
voltage
test voltage
insulation
protection degree
continuous overcurrent
current (I th)
rated dynamic
current (I dyn)
safety factor
operating temperature
storage temperature
manufactured according to

according to
 UL94-V0
 50+60 Hz
 0,72 kV
 3 kV x 1' 50 Hz
 classe E
 IP 30
 1,2 In
 60 In
 2,5 x I th
 N ≤ 5
 -25 +50 °C
 -40 +80 °C
 IEC/EN 60044-1,
 VDE, BS, UTE



STROMWANDLER; SEKUNDÄR 5 A - MEASURING C.T. SECONDARY 5 A

PRIMÄRSTROM PRIMARY CURRENT	BÜRDE - BURDENS		
A	cl 0,5 VA	cl 1 VA	
400	5	10	TAT081400X05
500	5	10	TAT081500X05
600	8	15	TAT081600X05
800	10	20	TAT081800X05
1000	15	30	TAT0811K0X05
1200	20	40	TAT0811K2X05
1500	20	40	TAT0811K5X05
2000	30	50	TAT0812K0X05
2500	40	60	TAT0812K5X05



TAT081...

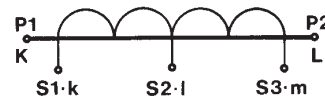
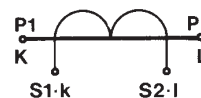
kg. 0,55 ÷ 0,75

STROMWANDLER; SEKUNDÄR 1 A - MEASURING C.T. SECONDARY 1A

PRIMÄRSTROM PRIMARY CURRENT	BÜRDE - BURDENS		
A	cl 0,5 VA	cl 1 VA	
400	5	10	TAT081400X01
500	5	10	TAT081500X01
600	8	15	TAT081600X01
800	10	20	TAT081800X01
1000	15	30	TAT0811K0X01
1200	20	40	TAT0811K2X01
1500	20	40	TAT0811K5X01
2000	30	50	TAT0812K0X01
2500	40	60	TAT0812K5X01

Anschlusskennung

PRIMARY AND SECONDARY CONNECTIONS MARKING



On request are available versions with intermediate tapping on secondary winding, allowing the use of the C.T. with two different primary currents. Burdens of the relevant ratio are listed in the table.

Zubehör

- Schienenbefestigung
- faston 6,3 x 0,8 mm

SUPPLIED ACCESSORIES

- busbar fixing set
- clamping terminals with faston 6,3 x 0,8 mm for secondary and short-circuit