

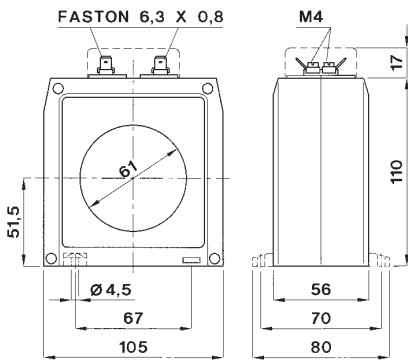
**Technische Daten**

Selbstverlöschend  
Thermoplastik  
Nennfrequenz  
Nennspannung  
Spannung  
Testspannung  
isoliationsklasse  
Schutzart  
Überstrom, dauernd  
Thermischer Überstrom  
Strom (I th)  
Dynamischer Überstrom  
(I dyn)  
Sicherheitsfaktor  
Betriebstemperatur  
Lagertemperatur  
Gefertigt entsprechend

**Technical data**

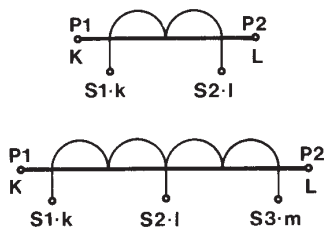
self extinguishing  
thermoplastic material  
operating frequency  
insulation reference  
voltage  
test voltage  
insulation  
protection degree  
continuous overcurrent  
rated short-time thermal  
current (I th)  
rated dynamic  
current (I dyn)  
safety factor  
operating temperature  
storage temperature  
manufactured according to

secondo/according to  
UL 94-V0  
50+60 Hz  
0,72 kV  
3 kV x 1' 50 Hz  
classe E  
IP 30  
1,2 In  
60 In  
2,5 x I th  
N ≤ 5  
-25 +50 °C  
-40 +80 °C  
IEC/EN 60044-1,  
VDE, BS, UTE



TAT060...  
kg. 0,55 ÷ 0,75

**PRIMARY AND SECONDARY CONNECTIONS MARKING**



**SUPPLIED ACCESSORIES**

- C.T. wall mounting fixing set (2 pcs)
- clamping terminals with faston  
6,3 x 0,8 mm for secondary and short-circuit

**MESSWANDLER, SEKUNDÄR 5 A - MEASURING C.T. SECONDARY 5 A**

| PRIMÄR STROM<br>PRIMARY CURRENT | BÜRDE - BURDENS |      |      |
|---------------------------------|-----------------|------|------|
|                                 | cl 0,5          | cl 1 | cl 3 |
| A                               | VA              | VA   | VA   |
| 250                             | 4               | 8    | 15   |
| 300                             | 5               | 9    | 18   |
| 400                             | 6               | 10   | 20   |
| 500                             | 8               | 15   | 30   |
| 600                             | 10              | 20   | 40   |
| 800                             | 15              | 30   | 60   |
| 1000                            | 20              | 40   | 80   |
| 1200                            | 25              | 50   | 100  |
| 1500                            | 30              | 50   | 100  |

**ESSWANDLER, SEKUNDÄR 1 A - MEASURING C.T. SECONDARY 1 A**

| PRIMÄR STROM<br>PRIMARY CURRENT | BÜRDE - BURDENS |      |      |
|---------------------------------|-----------------|------|------|
|                                 | cl 0,5          | cl 1 | cl 3 |
| A                               | VA              | VA   | VA   |
| 250                             | 4               | 8    | 15   |
| 300                             | 5               | 9    | 18   |
| 400                             | 6               | 10   | 20   |
| 500                             | 8               | 15   | 30   |
| 600                             | 10              | 20   | 40   |
| 800                             | 15              | 30   | 60   |
| 1000                            | 20              | 40   | 80   |
| 1200                            | 25              | 50   | 100  |
| 1500                            | 30              | 50   | 100  |

**On request** are available versions with intermediate tapping on secondary winding, allowing the use of the C.T. with two different primary currents. Burdens of the relevant ratio are listed in the table.