

Stromwandler
BUSBAR PASSING C.T.

serie **TAT082...** 82x37
model

Technische Daten

Material, selbstverlöschend
Thermoplastik
Nennfrequenz
Bemessungsspannung
Nennspannung
Testspannung
Isolationsklasse
Schutzgrad
Überstrom, dauernd

Technical data

self extinguishing
thermoplastic material
operating frequency
insulation reference
voltage
test voltage
insulation
protection degree
continuous overcurrent

secondo/according to
UL94-V0
50+60 Hz
0,72 kV
3 kV x 1' 50 Hz
classe E
IP 30
1,2 In

Thermischer Überstrom (I th)
Dynamischer Überstrom
(I dyn)
Überstromfaktor
Betriebstemperatur
Lagertemperatur
Konformität

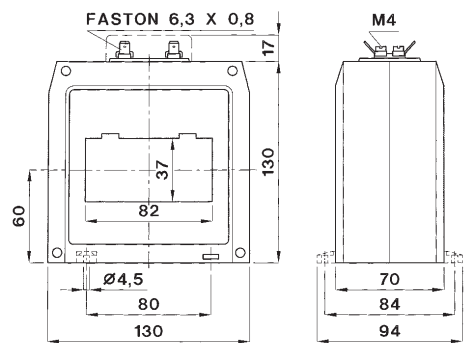
current (I th)
rated dynamic
current (I dyn)
safety factor
operating temperature
storage temperature
manufactured according to

80 In
2.5 x I th
N ≤ 5
-25 +50 °C
-40 +80 °C
IEC/ EN 60044-1,
VDE, BS, UTE



MESSWANDLER; SEKUNDÄR 5 A - MEASURING C.T. SECONDARY 5 A

PRIMÄRSTROM PRIMARY CURRENT	BÜRDE - BURDENS		Typ code
A	cl 0,5 VA	cl 1 VA	
400	6	15	TAT082400X05
500	10	20	TAT082500X05
600	15	30	TAT082600X05
800	20	40	TAT082800X05
1000	20	40	TAT0821K0X05
1200	25	50	TAT0821K2X05
1500	40	80	TAT0821K5X05
2000	50	100	TAT0822K0X05
2500	60	120	TAT0822K5X05

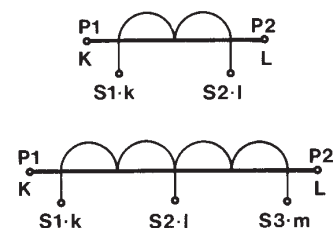


TAT082...
kg. 1,6 ÷ 2,1

MESSWANDLER; SEKUNDÄR 5 A - MEASURING C.T. SECONDARY 5 A

PRIMÄRSTROM PRIMARY CURRENT	BÜRDE - BURDENS		Typ code
A	cl 0,2 VA	cl 0,5S VA	
400	2	2	TAT082400J05
500	4	4	TAT082500J05
600	6	6	TAT082600J05
800	8	8	TAT082800J05
1000	12	12	TAT0821K0J05
1200	15	15	TAT0821K2J05
1500	18	18	TAT0821K5J05
2000	20	20	TAT0822K0J05
2500	20	20	TAT0822K5J05

**ANSCHLUSSBILD
PRIMARY AND SECONDARY CONNECTIONS MARKING**



Zubehör

- Befestigungsset für Cu - Schiene

SUPPLIED ACCESSORIES

- cable or bus bar fixing set
- clamping terminals with faston
6,3 x 0,8 mm for secondary and short-circuit

Alle Wandler in der Tabelle sind auch als Sekundär 1A, bei gleicher Bürde lieferbar
In den Typnummern die letzte Ziffer in "1" ändern

All C.T.'s indicated in tables are available also with secondary 1A; the relevant burdens remain unchanged. The price code for C.T.'s with secondary 1A has the last digit equal to 1.

On request are available versions with intermediate tapping on secondary winding, allowing the use of the C.T. with two different primary currents. Burdens of the relevant ratio are listed in the table.