

# DSE8004

## 10" COLOUR MULTI-SET REMOTE OVERVIEW DISPLAY

### FEATURES



The Remote Overview Display module is designed for use with modules from the DSE86xx, DSE87xx and DSE88xx range of Load Share Control modules\*, giving a choice of display options suitable for a wide variety of applications. One (1) display overview module is connected to multiple compatible modules via a data communication link up to a maximum distance of 1.2 km on RS485.

This display module offers comprehensive large screen graphs, charts, metering, trend analysis, power display and engine status information in a clear image and text format.

User selectable display 'widgets' allow customisation of the lower part of the 10" screen.

### \* Compatible Modules

- DSE8610 Synchronising Auto Start Load Share Control Module
- DSE8620 Auto Mains Failure & Instrumentation Control Module
- DSE8660 Auto Transfer Switch & Mains Control Module
- DSE8710 Rear Mounted Synchronising Auto Start Load Share Control Module
- DSE8760 Rear Mounted Auto Transfer Switch & Mains Control Module
- DSE8810 Auto Start Colour Load Share Control Module
- DSE8860 Auto Transfer Switch & Mains Colour Control Module

### ENVIRONMENTAL TESTING STANDARDS

#### ELECTRO MAGNETIC COMPATIBILITY

BS EN 61000-6-2  
EMC Generic Immunity Standard for the Industrial Environment  
BS EN 61000-6-4  
EMC Generic Emission Standard for the Industrial Environment

#### ELECTRICAL SAFETY

BS EN 60950  
Safety of Information Technology Equipment, including Electrical Business Equipment

#### TEMPERATURE

BS EN 60068-2-1  
Ab/Ae Cold Test -30°C  
BS EN 60068-2-2  
Bb/Be Dry Heat +70°C

#### VIBRATION

BS EN 60068-2-6  
Ten sweeps in each of three major axes  
5 Hz to 8 Hz at +/-7.5 mm, 8 Hz to 500 Hz at 2 GN

#### HUMIDITY

BS EN 60068-2-30  
Db Damp Heat Cyclic 20/55 °C at 95% RH  
48 Hours  
BS EN 60068-2-78  
Cab Damp Heat Static 40 °C at 93% RH  
48 Hours

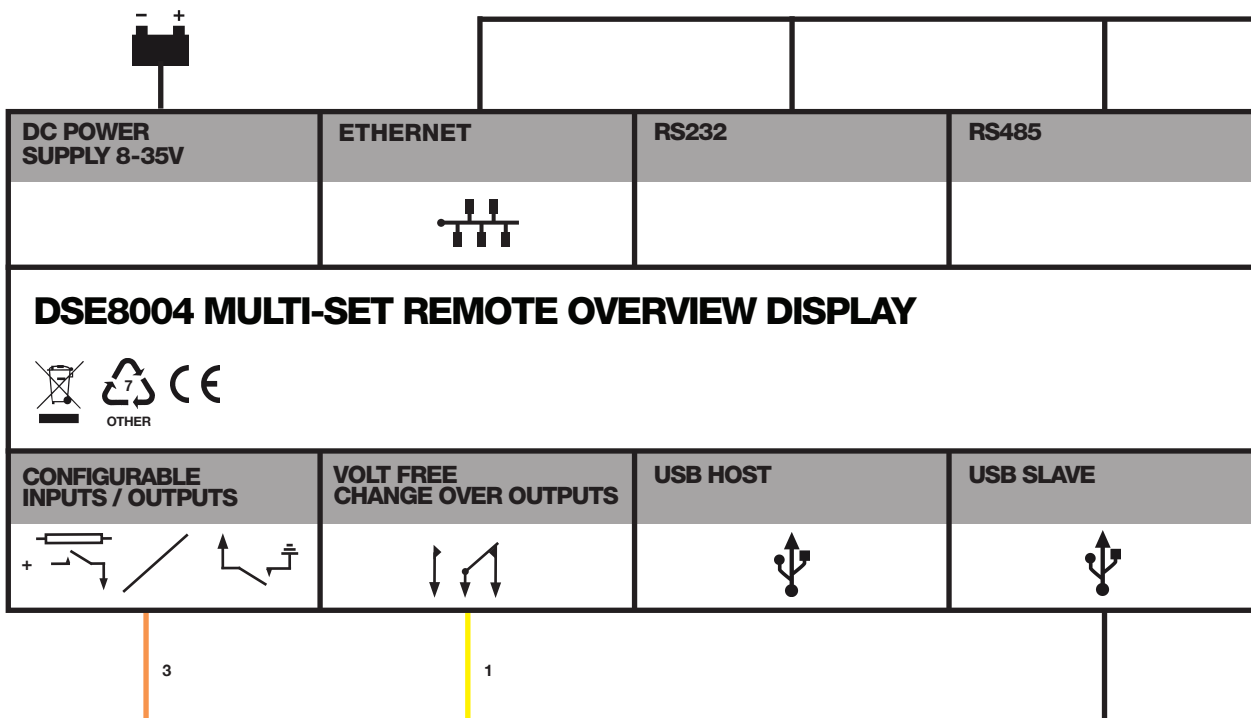
#### SHOCK

BS EN 60068-2-27  
Three shocks in each of three major axes  
15 GN in 11 ms

#### DEGREES OF PROTECTION PROVIDED BY ENCLOSURES

BS EN 60529 IP65 - Front of module when installed into the control panel with the supplied sealing gasket.

## COMPREHENSIVE FEATURE LIST TO SUIT A WIDE VARIETY OF LOAD SHARE APPLICATIONS



**TO COMPATIBLE MODULES \***  
For further information please see operators manual.

# DSE8004

## 10" COLOUR MULTI-SET REMOTE OVERVIEW DISPLAY

### FEATURES



### KEY FEATURES WHEN CONNECTED TO COMPATIBLE MODULES

- Multiple modules (up to a maximum of 20) within the same load sharing system can be viewed
- Touch-screen enabled
- RS232, RS485 and Ethernet communications
- Audible alarm
- Front panel mounting
- Protected front panel configuration
- Configurable display options
- Remote system monitoring
- Trend Analysis
- Configurable graphical user interface with software 'widgets'

### KEY BENEFITS

- Compatible with DSE86xx, DSE87xx & DSE88xx Load Share Modules
- Data communication link allows remote system management
- 800 x 480 pixel screen for high clarity

### SPECIFICATION

#### DC SUPPLY

**CONTINUOUS VOLTAGE RATING**  
8 V to 35 V continuous

#### CRANKING DROPOUTS

Able to survive 0 V for 50 ms, providing supply was at least 10 V before dropout and supply recovers to 5 V. This is achieved without the need for internal batteries

#### MAXIMUM STANDBY CURRENT

824 mA at 12V, 412 mA at 24V

#### MAXIMUM OPERATING CURRENT

883 mA at 12V, 436 mA at 24V

#### INPUTS/OUTPUTS A TO C

##### INPUTS

Negative switching

##### OUTPUTS

2 A DC at supply voltage

##### OUTPUT D

Changeover volt-free output  
8 A AC at 250 V AC

#### DIMENSIONS

##### OVERALL

405 mm x 241 mm x 42 mm  
15.7" x 9.2" x 1.7"

##### PANEL CUTOUT

359 mm x 204 mm  
14.1" x 8.0"

##### DISPLAY SIZE

210 mm x 160 mm

8.3" x 6.3"

Diagonal - 265 mm (10.5")

#### STORAGE TEMPERATURE RANGE

-40 °C to +85°C

-40 °F to +185 °F

#### OPERATING TEMPERATURE RANGE

-30 °C to +70 °C

-22 °F to +158 °F

### RELATED MATERIALS

#### TITLE

DSE8004 Installation Instructions  
DSE8004 Colour Remote Display Manual  
DSE8005 SCADA Suite Manual  
DSE8610 Data Sheet  
DSE8620 Data Sheet  
DSE8660 Data Sheet  
DSE8710 Data Sheet  
DSE8760 Data Sheet  
DSE8810 Data Sheet  
DSE8860 Data Sheet

#### PART NO'S

053-171  
057-134  
057-128  
055-083  
055-099  
055-086  
055-184  
055-090  
055-116  
055-139

### DEEP SEA ELECTRONICS PLC UK

Highfield House, Hunmanby Industrial Estate, Hunmanby YO14 0PH  
**TELEPHONE** +44 (0) 1723 890099 **FACSIMILE** +44 (0) 1723 893303  
**EMAIL** sales@deepseapl.com **WEBSITE** www.deepseapl.com

### DEEP SEA ELECTRONICS INC USA

3230 Williams Avenue, Rockford, IL 61101-2668 USA  
**TELEPHONE** +1 (815) 316 8706 **FACSIMILE** +1 (815) 316 8708  
**EMAIL** sales@deepseausa.com **WEBSITE** www.deepseausa.com