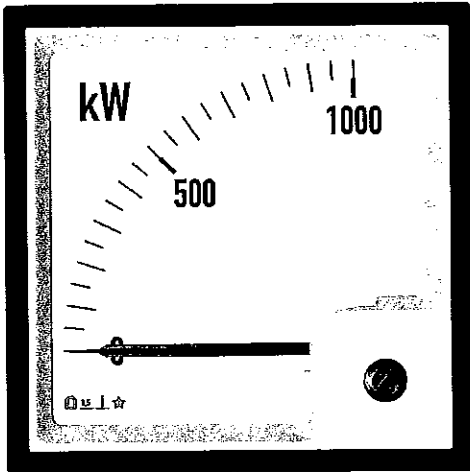


ACTIVE POWER METER AQ



- Measuring of active power at single-phase or multi-phase grids
- DIN size 96x96, 144x144mm
- Exchangeable scale
- Class 1.5

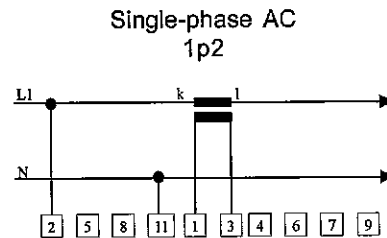
Application

The AQ is a switchboard-mounting measuring device for measuring of active power at single-phase grids as well as at three-conductor and four-conductor three-phase grids with symmetric and asymmetric load.

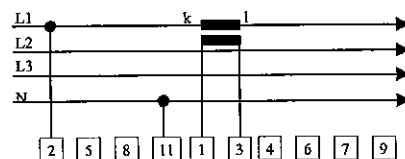
Technical data

Scale:	plug-in exchangeable scale (Caution!! Before scale change ensure voltage-free device.)
Accuracy:	class 1.5 EN 60051 IEC 51
Meas. voltage:	100-110-127-220-230-240-380-400-415-440-V AC $\pm 20\%$
Meas. current:	directly or via current transformer -/1A or -/5A
Consumption:	max. 3VA
Frequency:	45...65Hz
Casing:	Plastic, self-extinguish., (ULV94/V0)

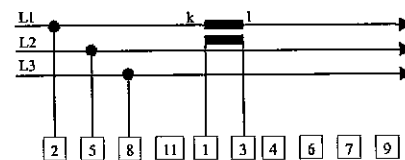
Circuitry



Four-conductor three-phase, symmetric load
1p4



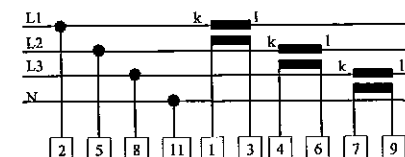
Three-conductor three-phase, symmetric load
1p3



Three-conductor three-phase, asymmetric load
2p3

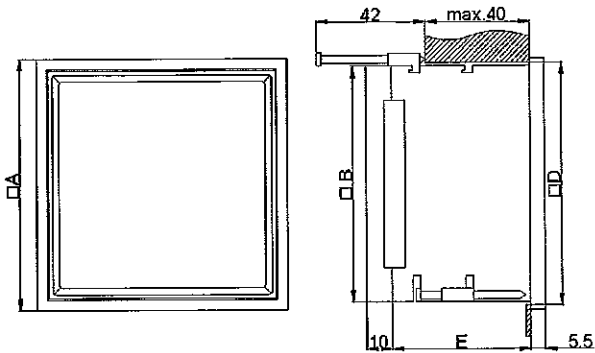


Four-conductor three-phase, asymmetric load
3p4



ACTIVE POWER METER AQ

Dimensions



TYPE	AQ96	AQ144
A Dimension	96x96	144x144
B Inner dim.	90x90	136x136
D Cut-out + tolerance	92x92 0,8	138x138 0,8
E Mount. depth	95	95

Order data- Example

Type, circuitry, range, current, measuring voltage
 AQ 96, 3P4, 0-120KW, 200/5A, 400V